

The BELFAB V4S dust collector from the MPJC series is an up-flow cartridge dust collector (vertical cartridges) with pulse jet cleaning system.

This 4-cartridges unit is built of heavy-duty 11-gauge structurally reinforced steel. This feature allows the V4S to be used in a wide range of pressure and applications requirements.

The V4S model uses standard sizes cartridges, available in multiple filter media type. The filter media can be selected to meet the requirements of your process. Production processes include but are not limited to: grinding, welding, buffing, sanding, smelting etc...

The MPJC-V4S collector provides optimal air-to-cloth ratio for ranges of 1000 - 2500 CFM.

The V4S is a stand-alone compact cartridge filter unit and can be configured with a sealed drawer, a hopper with drum or rotary air-lock continuous discharge for the disposal of the collected dust.



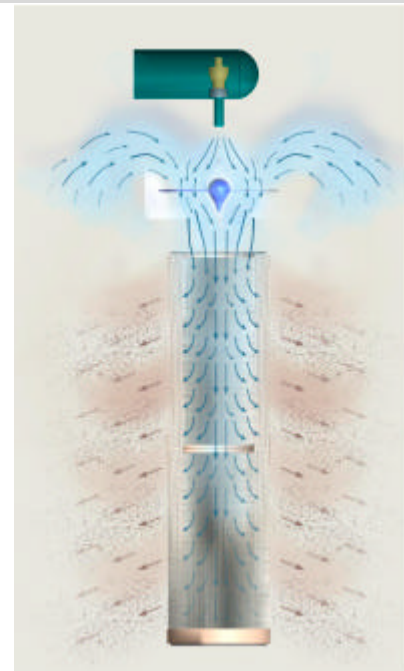
## ***Pulse Cleaning Technology***

BELFAB's MPJC-V4S collector system uses a patent pending "Tear Drop Even flow" (TDEF) pulse cleaning technology.

This unique airflow distribution technology evenly forces the pulse of air through the entire length of the cartridge.

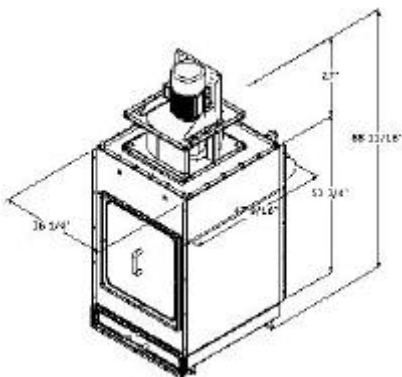
With the TDEF system, cartridges are cleaned top to bottom at every pulse, reducing the pressure drop across the filters after clean-up cycles and allowing the complete surface of the cartridges to be used for filtration.

The life expectancy of your cartridges will be increased by this new cleaning technology.

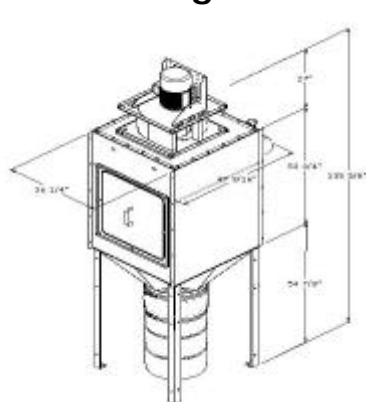


## SPECIFICATIONS

**Model** MPJC-V4S-D  
**Number** Sealed Drawer Configuration



**MPJC-V4S-B**  
**Drum & Hopper**  
**Configuration**



<b>Filter Qty / Size</b>	4 units / 12 3/4" Dia x 26"
<b>Optimal CFM</b>	1000 to 2500 CFM
<b>Disposal</b>	drawer type
<b>Dimensions</b>	36" (W) x 48" (D) x 89" (H)
<b>Weight</b>	1 400 lbs

<b>Filter Qty / Size</b>	4 units / 12 3/4" Dia x 26"
<b>Optimal CFM</b>	1000 to 2500 CFM
<b>Disposal</b>	Steel drum / drawer type
<b>Dimensions</b>	36" (W) x 48" (D) x 136" (H)
<b>Weight</b>	1 650 lbs

## PRODUCT FEATURES

### *Filter module & Pulse System*

- 11 gauge steel heavy duty structure
- Vertical (4) cartridge filter
- (TDEF) pulse technology
- Standard size cartridges
- Pulse sequential controller
- NEMA 4 control panel
- Filter guard deflector
- Easy access to filters

### *Options & accessories*

- Spark detector & sprinkler
- Safety platform & ladder
- Intelligent auto cleaning system
- Explosion door & accessories
- Silencer package
- Sealed Drawer
- Rotary airlock
- Hopper for 25 or 45 gal. drum
- Multiple filter media
- Magnehelic pressure gauge
- Extended legs

## GUARANTY

**All BELFAB manufactured equipment carries one-year guaranty**

Distributed by



**Belfab**

430 Guimond, Longueuil, QC, CANADA J4G

Tel: (450) 463-3344 Fax: (450) 463-3252

Toll free: 1-866-423-5322

1-866-4BELFAB

Web site: [www.belfab.net](http://www.belfab.net)

E-mail: [sales@belfab.net](mailto:sales@belfab.net)